



**ECO STRUCTURES**

LUXURY EXPERIENTIAL ACCOMMODATION



**WANT TO KNOW MORE?**

[ecostructures.com.au](http://ecostructures.com.au)

  @EcoStructures

Eco Structures Australia

*THE POP UP TENT*

# THE Pop Up Tent

The Pop-Up Eco Tent is changing the glamping landscape with a smart solution that delivers the ultimate versatility and durability to your site - allowing you to maximise your yearly returns.



## NO APPROVALS REQUIRED

The Pop-Up Eco Tent thrives in remote locations where permanent tents aren't required, offering a quick accommodation solution that treats guests to a high level of comfort.



## FAST INSTALLATION

Installation takes on average 8 hours with Eco Structures providing an extensive installation guide.



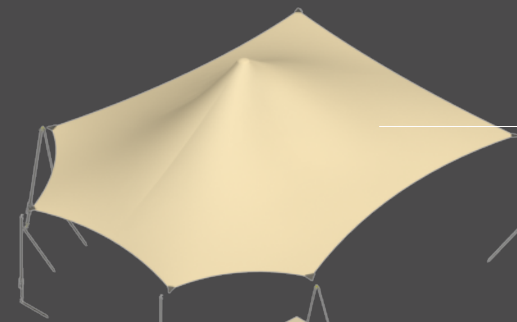
## FAST ROI

Ability to charge high nightly rate equals fast return on investment.

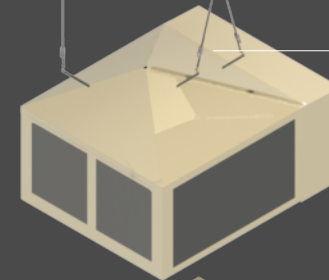


## ECO FRIENDLY

Our Pop Up tents reduce carbon footprint through the flat pack freightable design, they leave minimal impact on the ground as they are raised and the product incorporates Eco Structures GOTS Certified - Global Organic Textile Fabric, and endlessly recyclable structural steel system.



Roof Fly Options: PVC  
Colour-Beige

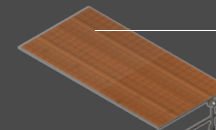


RT 12oz Canvas Body  
Colour-Red Sand

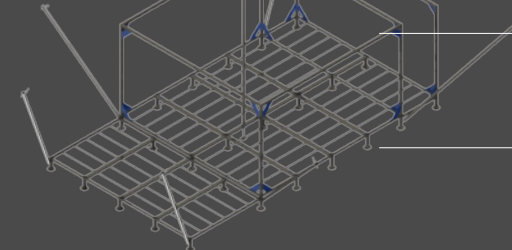
Mesh Fabric windows  
and doors



Ply wood Flooring



WPC Decking  
Colour-Teak



Hot dipped galvanised  
structural steel frame



Adjustable Feet. Perfect  
for uneven ground  
(up to 100mm)

Transport Box  
3.6m x 1m x 1m  
Designed to deploy as the  
floor



ECO STRUCTURES  
LUXURY EXPERIENTIAL ACCOMMODATION

# POP UP Tent





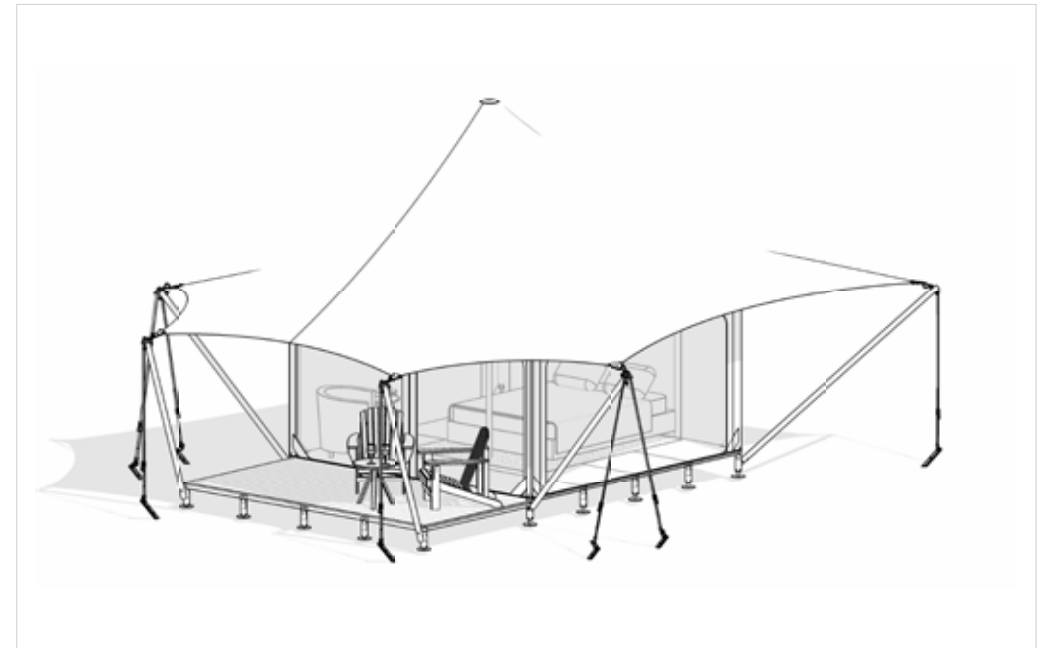
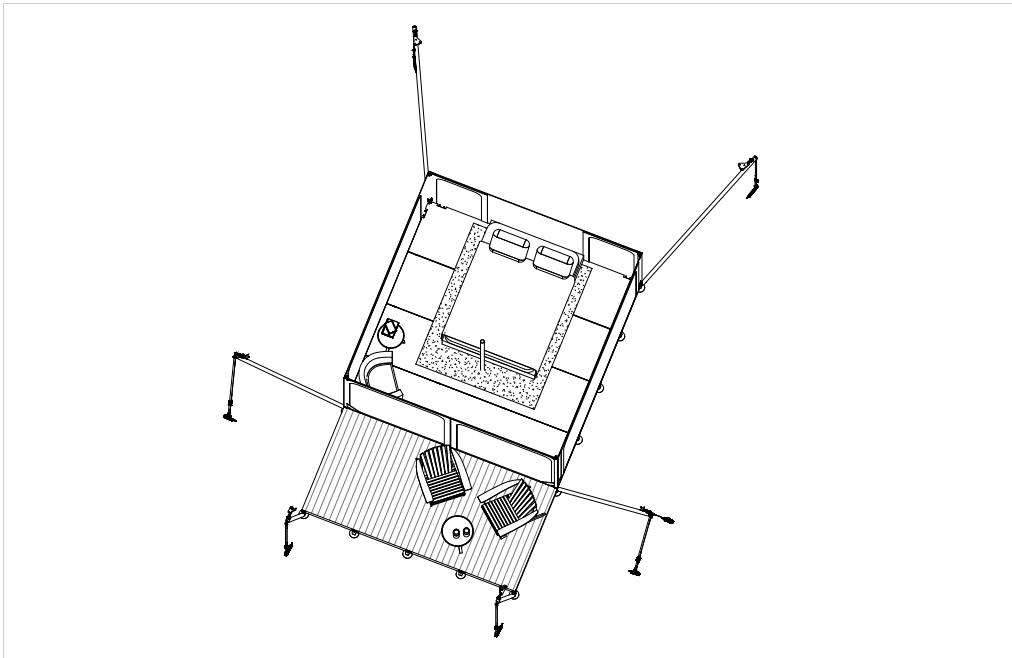
# POP-UP TENT 1

3.6m x 3.6m- No Enclosure

Starting from **\$15,780.00 AUD**

Vinyl Flooring Addition - \$750 AUD

Internal Area	13 sqm
Deck Area 1.8m x 3.6m	6.5 sqm
Overall Roof Area	38.7 sqm
Height (Internal floor to enclosure)	2.15m
Height (Internal floor to wall)	2.3m
Height (Internal floor to ceiling)	2.9m
Imperial Size 12ft x 12ft	144sqf
Decking area 6ft x 12 ft	72sqf



*Floor Plans are presented are for illustrative purposes only.*



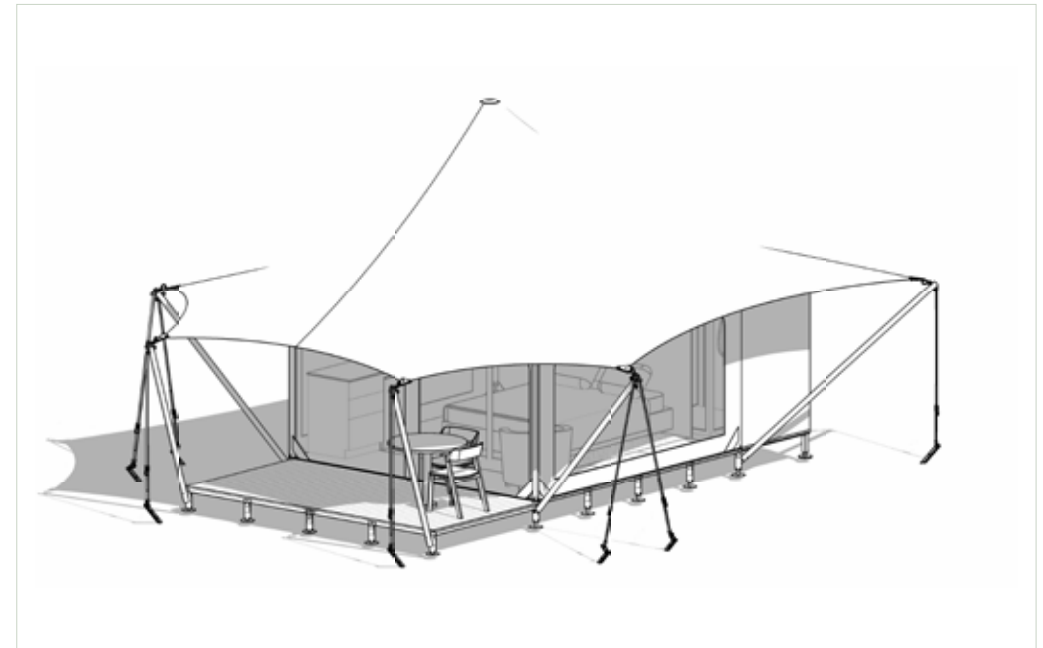
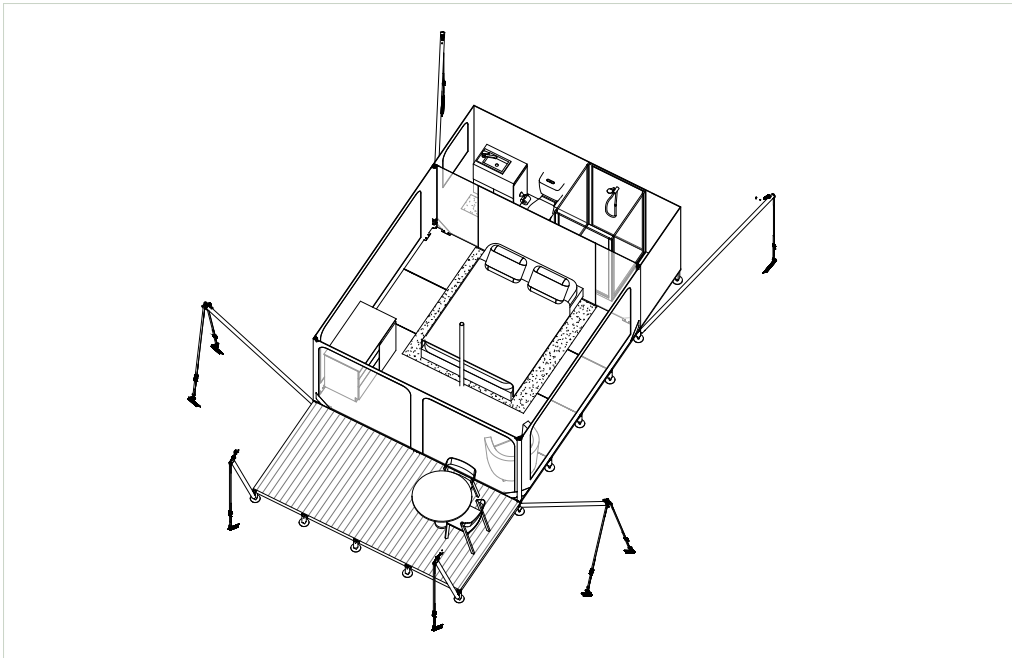
# POP-UP TENT 2

3.6m x 4.8m- 1200mm Enclosure

Starting from **\$19,780.00 AUD**

Vinyl Flooring Addition - \$935 AUD

Internal Area	16 sqm
Deck Area 1.8m x 3.6m	6.5 sqm
Overall Roof Area	38.7 sqm
Height (Internal floor to enclosure)	2.15m
Height (Internal floor to wall)	2.3m
Height (Internal floor to ceiling)	2.9m
Height (Approx Overall)	4.4m
Imperial Size 12ft x 16ft	192sqf
Decking area 6ft x 12 ft	72sqf



*Floor Plans are presented are for illustrative purposes only.*

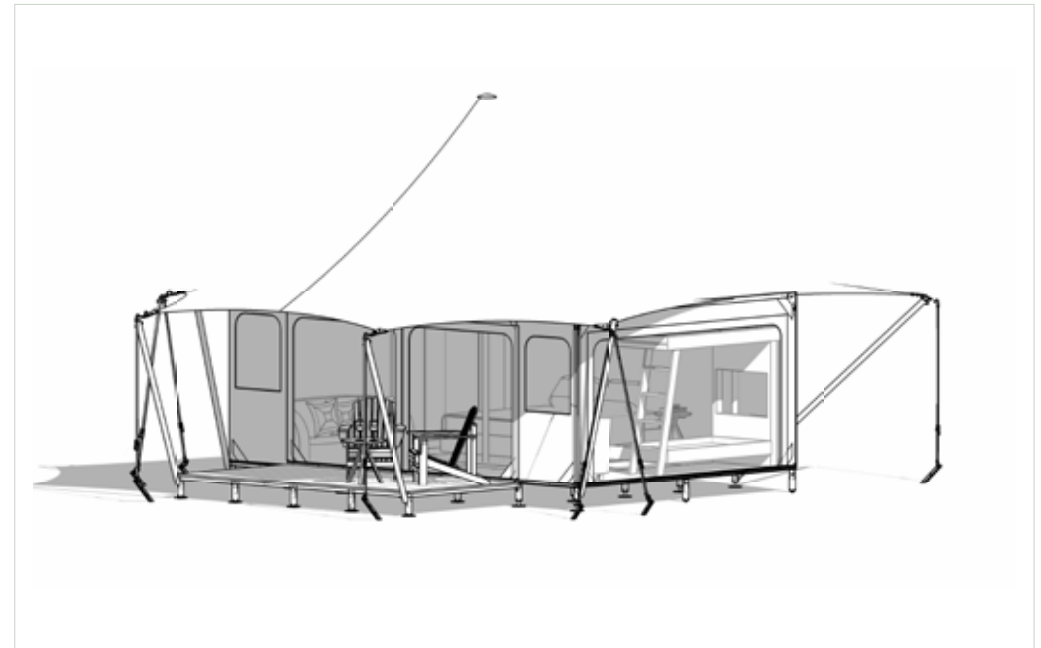
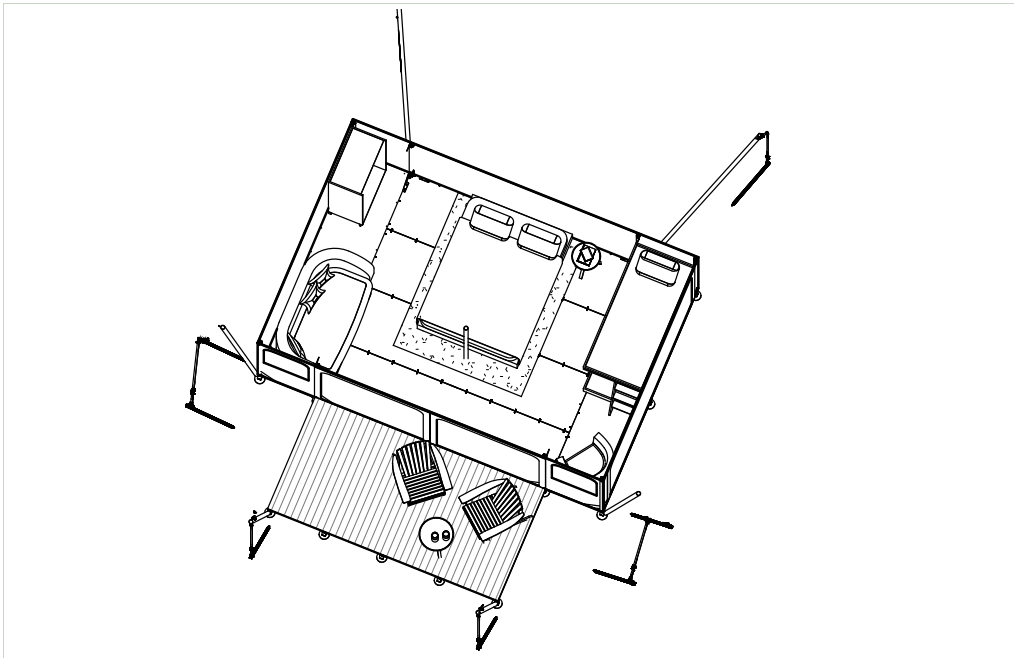
# POP-UP TENT 3

5.4m x 3.6m- x2 900mm Enclosures

Starting from **\$23,780.00 AUD**

Vinyl Flooring Addition - \$1,100 AUD

Internal Area	19.5 sqm
Deck Area 1.8m x 3.6m	6.5 sqm
Overall Roof Area	38.7 sqm
Height (Internal floor to enclosure)	2.15m
Height (Internal floor to wall)	2.3m
Height (Internal floor to ceiling)	2.9m
Height (Approx Overall)	4.4m
Imperial Size 18ft x 12ft	216sqf
Decking area 6ft x 12 ft	72sqf



*Floor Plans are presented are for illustrative purposes only.*



**ECO STRUCTURES**  
LUXURY EXPERIENTIAL ACCOMMODATION

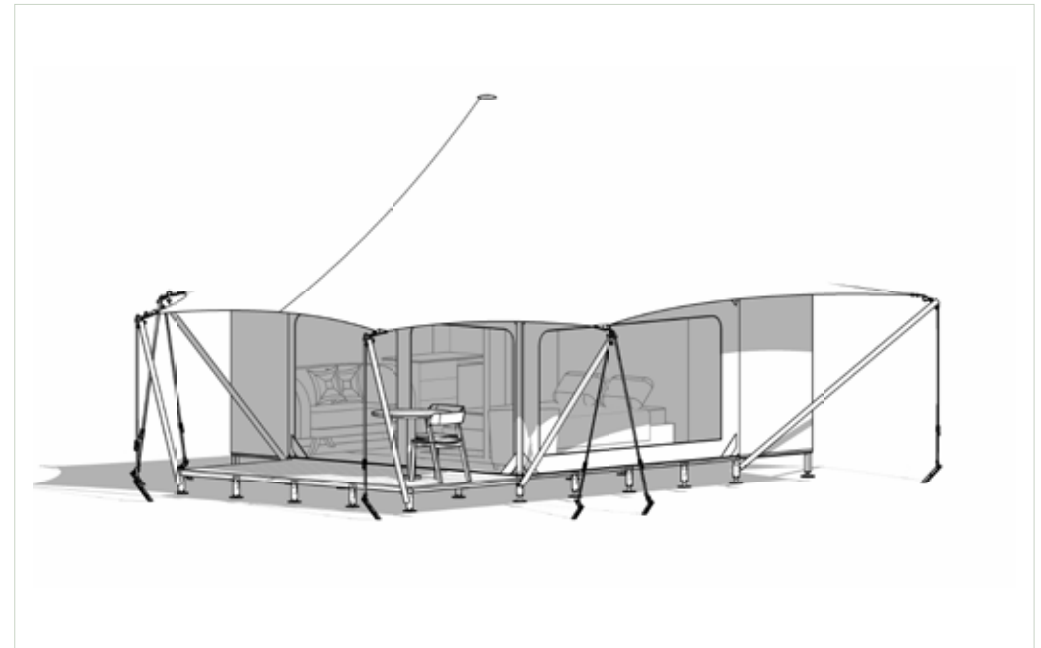
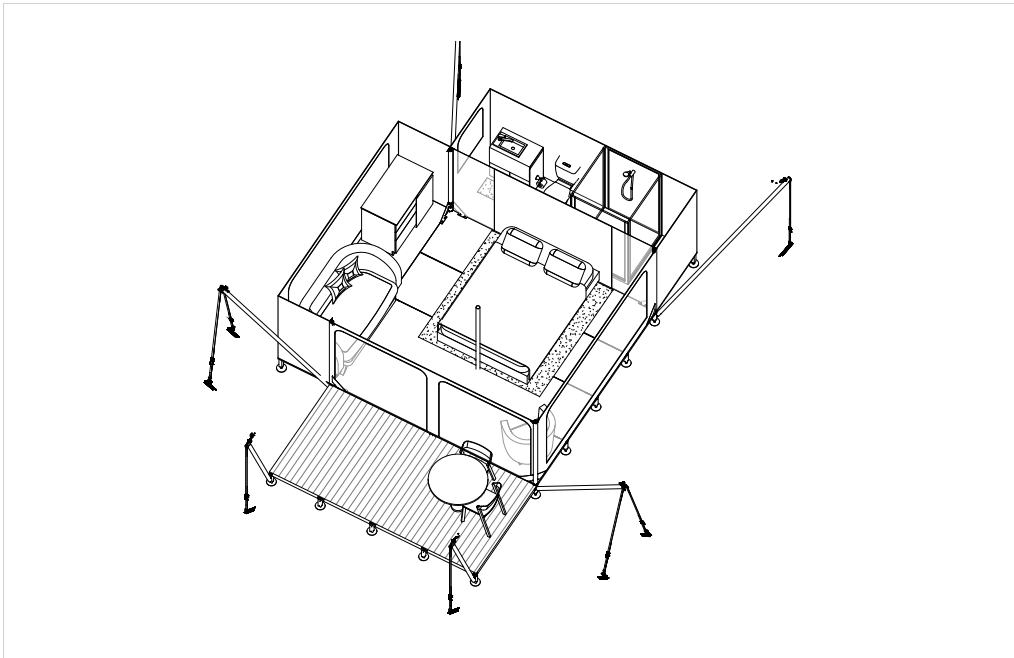
# POP-UP TENT 4

4.8m x 4.5m-  
x1 900mm Enclosure  
x1 1200mm Enclosure

**Starting from \$23,780.00 AUD**

Vinyl Flooring Addition - \$1,100 AUD

Internal Area	20 sqm
Deck Area 1.8m x 3.6m	6.5 sqm
Overall Roof Area	38.7 sqm
Height (Internal floor to enclosure)	2.15m
Height (Internal floor to wall)	2.3m
Height (Internal floor to ceiling)	2.9m
Height (Approx Overall)	4.4m
Imperial Size 18ft x 12ft	216sqf
Decking area 6ft x 12 ft	72sqf



*Floor Plans are presented are for illustrative purposes only.*

# Supply- INCLUSIONS

We **INCLUDE** almost everything you need to develop your project.

## PRODUCT INCLUSIONS

- Sub floor hot tipped galvanised steel structure as transport Box
- Ply wood internal flooring WPC externally
- 22 adjustable feet
- Galvanised structural steel frame and poles
- PVC roofing ropes, rigging and ratchet straps

## SERVICE INCLUSIONS

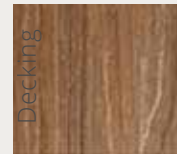
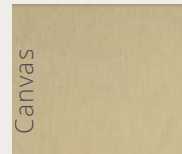
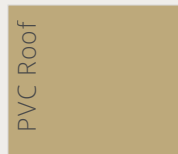
- Warranties
- Installation Guide
- Shipping support to your choice of port (additional charges)
- Local transport from port to site (To be advised as per country & project specifications)

## PRODUCT SPECIFICATIONS

Pale Beige

Red Sand

Teak



## SERVICE EXCLUSIONS

- Import duties & clearance
- Connections to power, water and other infrastructural needs
- Land & Access- *Site preparation as per our suggestions*
- Local Labour- *Eco Structures can provide construction managers*
- Furniture, cabinetry etc.

## WARRANTY



### Floor Joist and Bearers- Blue Scope Lysaght 200C

10 Year Limited Warranty

20 Year Estimated Life



### Hot Dipped Galvanized Structural Steel Frame

15 Year Limited Warranty

25-50 Year Estimated Life



### RT12 Canvas

5 Year Limited Warranty

10-12 Year Estimated Life



### Flooring WPC External Board

5 Year Limited Warranty

10 Year Estimated Life



# Frequently Asked *QUESTIONS*



## LEAD TIME

Our lead time is 90-120 days to manufacture | 4 weeks shipping | 1 day to install



## INTERNAL FLOORING

We supply ply wood flooring as standard, however you may choose to vinyl, tile or deck the floor.



## GROUND CONDITIONS

The site chosen for install must be a level site. Each footing at the base has 100mm of adjustment in the event of a slightly unlevel site.



## CARE & MAINTENANCE

The maintenance required for Glamping Tents is minimal. Store bought products can be used to clean any marks.



## REPLACEMENT PARTS

We offer replacement canvas panels, decking and roof flys for when there is a need. Just remove the current panel or part and replace with a new panel.



## BED SIZE

A double or queen sized bed can fit perfectly. The Distance from the back wall to the pole is 2200mm (90.5in)



## HEATING & COOLING

Our Glamping Tents can be heated or cooled with split system airconditionin, or a fireplace for the cooler climates.



## WIND & FIRE RATINGS

The pop-up is rated to 100km/hr winds. When winds are expected to be higher than this, it is advised to dismantle the pop-up as warranty is removed.



## STRUCTURAL SYSTEM

Hot dipped galvanised structural steel frame, with 15 Years Warranty.

**WANT TO KNOW MORE?**  
ecostructures.com.au

  @EcoStructures

24 Marine Terrace, Fremantle,  
Western Australia, 6160  
+61 8 9193 8007

*GO BEYOND*

A company of The WABi Group

WABi WABi WABi WABi  
SIMPLER. SMARTER. STRONGER DESIGN CONSTRUCTIONS WINDOWS

© 2023 Eco Structures